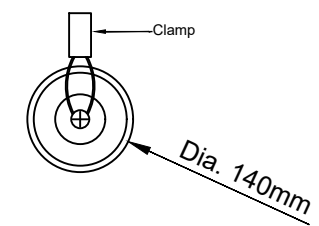
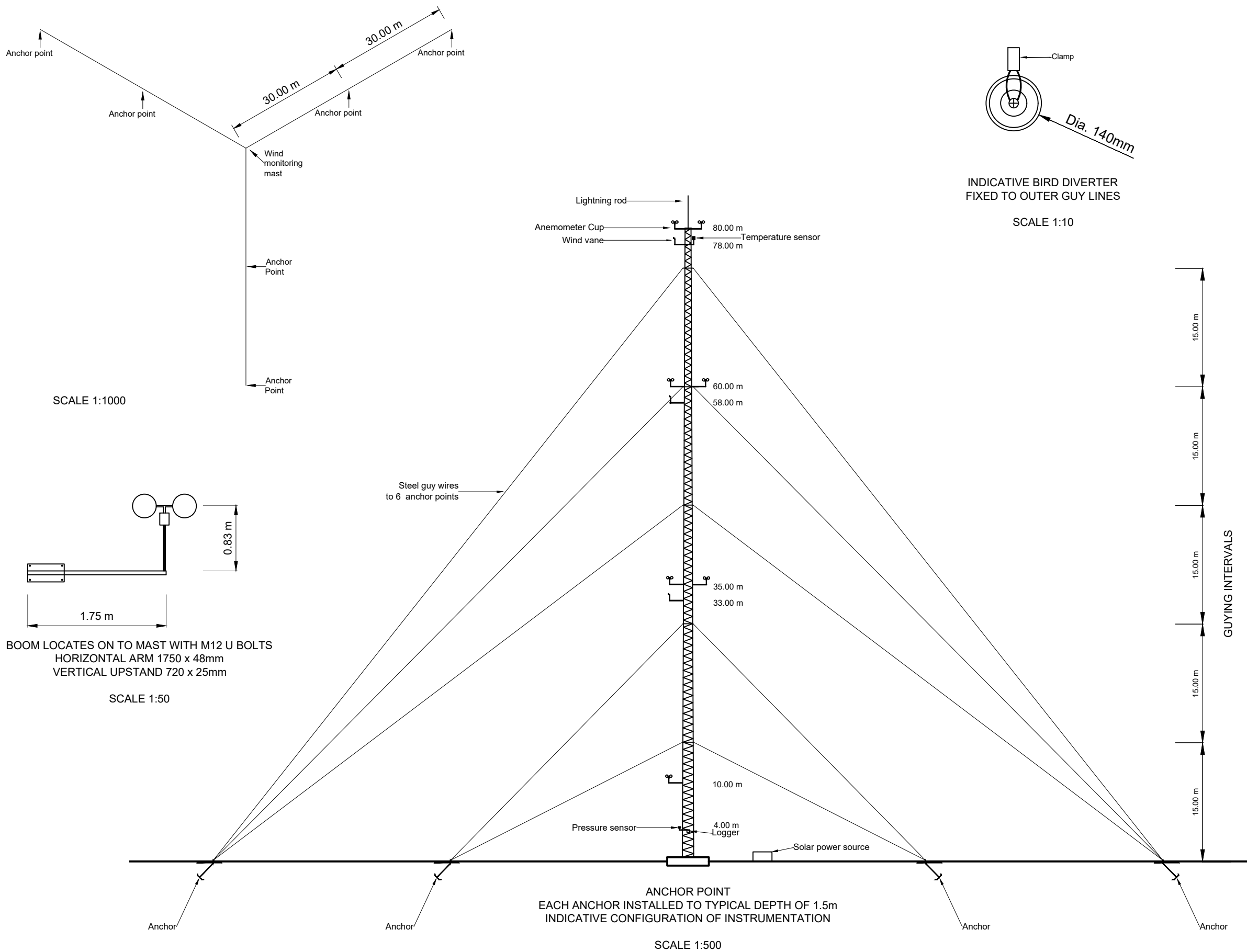


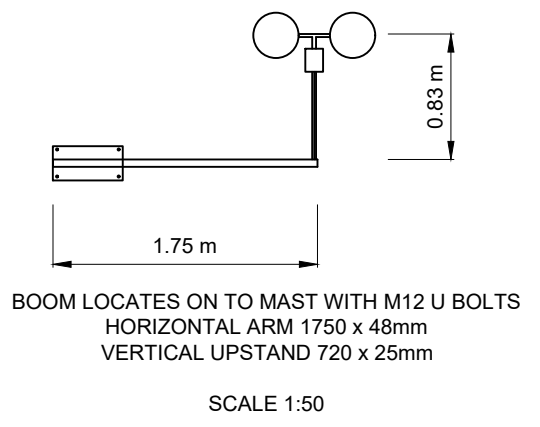
LEGAL: NATURAL POWER CONSULTANTS LTD TAKE NO RESPONSIBILITY FOR THE ACCURACY OF DATA PROVIDED BY THIRD PARTIES.

**NOTES:**

- BIRD DIVERTERS WOULD BE PLACED AT APPROPRIATE INTERVALS ON THE OUTSIDE GUY WIRES. EQUIPMENT ILLUSTRATED IS INDICATIVE AND SUBJECT TO FINAL PROCUREMENT AND MAY BE PLACED IN DIFFERENT LOCATIONS ON THE MAST.



SCALE 1:1000



ANCHOR POINT  
EACH ANCHOR INSTALLED TO TYPICAL DEPTH OF 1.5m  
INDICATIVE CONFIGURATION OF INSTRUMENTATION  
SCALE 1:500

GUYING INTERVALS

A	INITIAL ISSUE	MH	MB	LC	28/03/23
REV	DESCRIPTION	BY	CH	APP	DATE

CLIENT:  
FRED OLSEN RENEWABLES LTD

NATURAL POWER CONSULTANTS LTD.  
OCHIL HOUSE  
SPRINGKERSE BUSINESS PARK  
STIRLING  
FK7 7XE  
SCOTLAND,UK  
TEL: +44 (0) 1786 542 300  
WWW.NATURALPOWER.COM



IFS DOC NO.: 1313856 IFS ACTIVITY: 152.15620

SCALE: AS SHOWN @ A3 SHEET NO.: 1 OF 1

STATUS: **FOR INFORMATION**

PROJECT: HEARTHSTANES

DRAWING TITLE:  
FIGURE 1.3: INDICATIVE MAST ELEVATIONS

DRAWING NO.: 13046\_DET\_3000 REVISION **A**