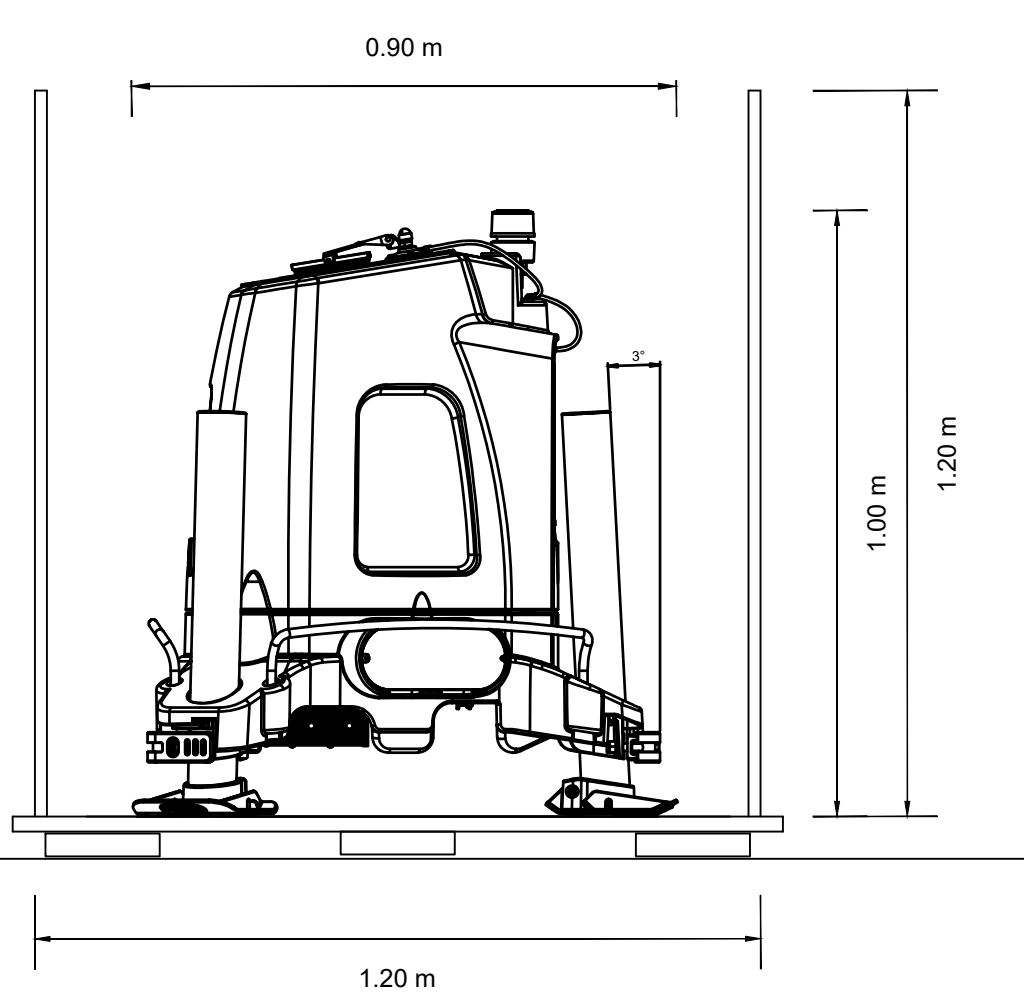


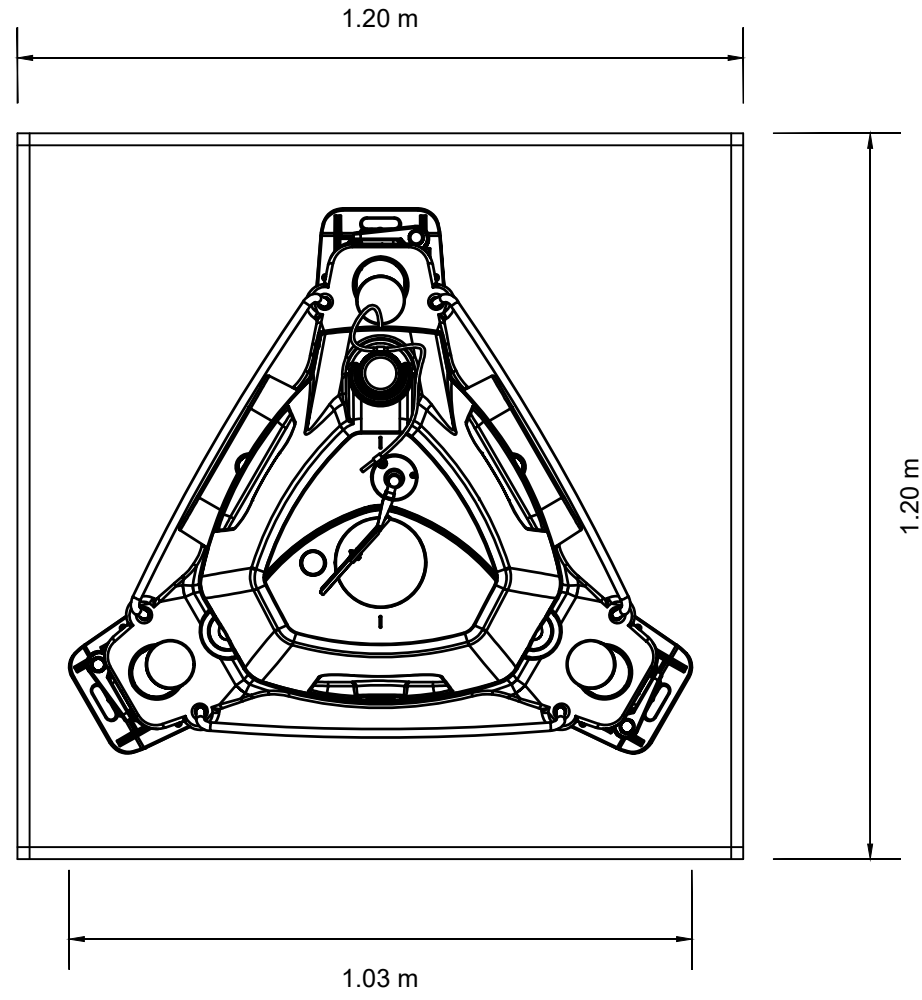
LEGAL: NATURAL POWER CONSULTANTS LTD TAKE NO RESPONSIBILITY FOR THE ACCURACY OF DATA PROVIDED BY THIRD PARTIES.

NOTES:

1. DRAWING SOURCE: ZX LIDARS



Cross Section View
Scale 1:12.50
Grey EU Pallet with lid removed



Plan View
Scale 1:12.50
Grey EU Pallet with lid removed



REV	DESCRIPTION	BY	CH	APP	DATE
A	INITIAL ISSUE	MH	MB	LC	29/03/23

CLIENT:
FRED OLSEN RENEWABLES LTD

NATURAL POWER CONSULTANTS LTD.
OCHIL HOUSE
SPRINGKERSE BUSINESS PARK
STIRLING
FK7 7XE
SCOTLAND,UK
TEL: +44 (0) 1786 542 300
WWW.NATURALPOWER.COM



IFS DOC NO.: 1314247	IFS ACTIVITY: 152.15620
SCALE: AS SHOWN @ A3	SHEET NO.: 1 OF 1

STATUS: **FOR INFORMATION**

PROJECT: HEARTHSTANES

DRAWING TITLE: FIGURE 1.4: INDICATIVE LIDAR PLAN AND ELEVATIONS

DRAWING NO.: 13046_DET_3001	REVISION A
-----------------------------	-------------------